

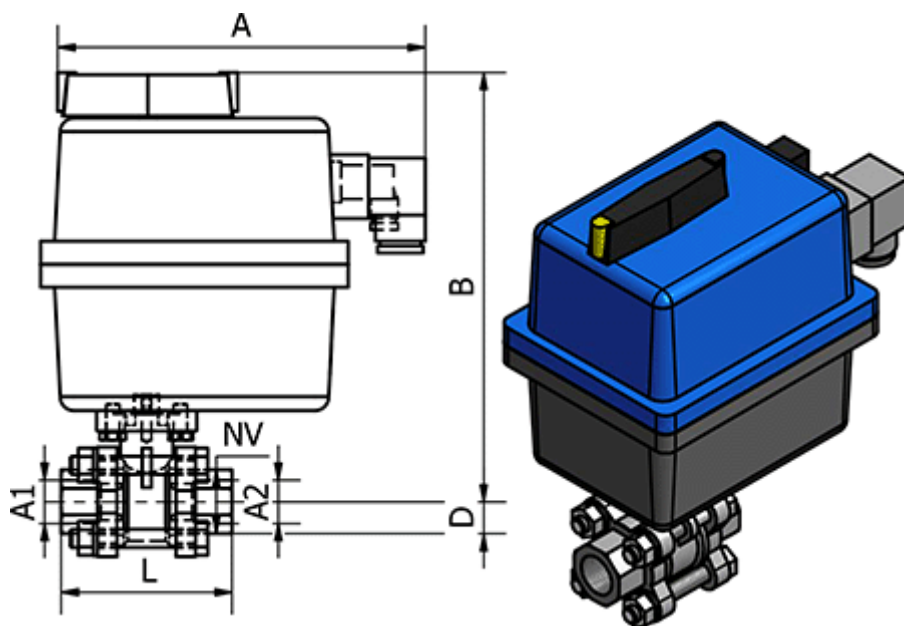
Data Sheet



Article number: 5863503810

Description: Ball Valve 350.3810, G 1/2" - G 1/2"
Thread/Thread

Measures



| | | |
|-----|-------------------------|----------|
| = - | Connecting A2 | = G 1/2" |
| = - | D | = 24 |
| = - | L | = 56 |
| = - | Max. Operating Pressure | = 40 bar |
| = - | NV | = 29 |

A = 177

B = 189

Connecting A1 = G 1/2"